

5/16-24 UNF - 2B 6 PLACES 12786 HEX SCREWS FULLY SEATED

■ \varnothing .340 THRU

■ 1.062 [26.97]

3.125 [79.38]

■ 1.062 [26.97]

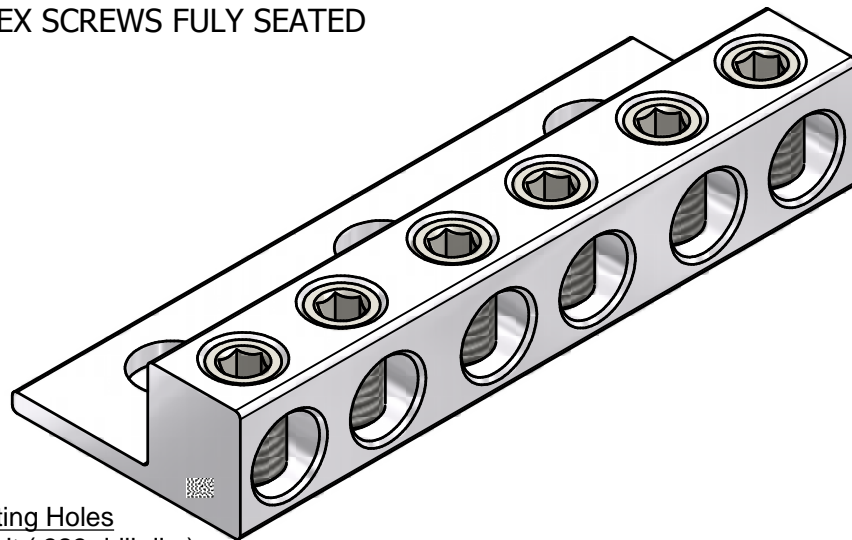
■ .312 [7.92]

.469 [11.91]

.093 [2.36]

.562 [14.27]

1.156 [29.36]



Cat. No. S2 Style No. ALL

■ Drill, Enlarge, or Modify Mounting Holes

- 1) Increase hole(s) dia. to 5/16 bolt (.323 drill dia.)
- 2) Move location of mounting hole(s)
- 3) If buying blank lug, put custom hole(s) in.

IHI UL/CSA Installation Guide to Drill or Enlarge Mounting Holes:

<https://lugsdirect.com/PDF%20Documents/IHI-MTG-HOLE-FIELD-MODS-UL&CSA-CERTIFICATIONS.pdf>

MOUNTING BOLTS: (3) EACH 5/16 OR M8

MAX CURRENT:

115a X 6 WIRES = 690A 75C

130A X 6 WIRES = 780A 90C

ZMVV LISTED FOR GROUNDING USE

SEE ALSO 600 VOLT STANDOFF KITS FOR POWER ISOLATION OR FLOATING GROUND



UL AND CSA MARKING



CU9AL

2-14

FLEX WIRE 4-12 AWG

NOT FOR USE WHERE FAILURE CREATES A HAZARD TO HUMAN HEALTH OR SAFETY. ALL PRODUCTS ARE SUBJECT TO THIS FULL DISCLAIMER: <http://www.ihiconnectors.com/disclaimer.html>

FOR FURTHER INFORMATION ON THE PROPER USE OF THIS PRODUCT IN SPECIFIC APPLICATIONS SEE <http://www.ihiconnectors.com/GuideToFlexFlexibleFineStrandedWireCableMechanicalLugsFAQ.html>

<http://www.ihiconnectors.com/Technical-Data-Installation.htm>



Expanded wire range with use of ferrules.
 TORK KRIMP®, self crimping of standard UL Listed ferrules protected by PATENT No.10630005.
 PATENT: www.ihiconnectors.com/patent.html
 For full instructions: <https://lugsdirect.com/PDF Documents/IHI Agency Labels/S2-AGENCY-LABEL.pdf>

THIS DRAWING AND DESIGN ARE THE PROPERTY OF INTERNATIONAL HYDRAULICS, INC., CLEVELAND, OHIO, AND MAY NOT BE DUPLICATED, USED FOR THE BASIS OF DESIGN OR MANUFACTURE WITHOUT THE WRITTEN PERMISSION OF INTERNATIONAL HYDRAULICS, INC., CLEVELAND, OHIO.					INTERNATIONAL HYDRAULICS, INC.					
GENERAL TOLERANCES ±.015 (±0,39)					TITLE: 6 PORT POWER & GRND LUG					
6 X 2-14 AWG WIRE										
MATERIAL: 6061-T6		SIZE: A	DRAWN BY: cridley		DWG NO.: 6S2-HEX(SALES)		REV: 0			
FINISH: TIN PLATE		DATE: 12-19-2016		IHI CONNECTORS						