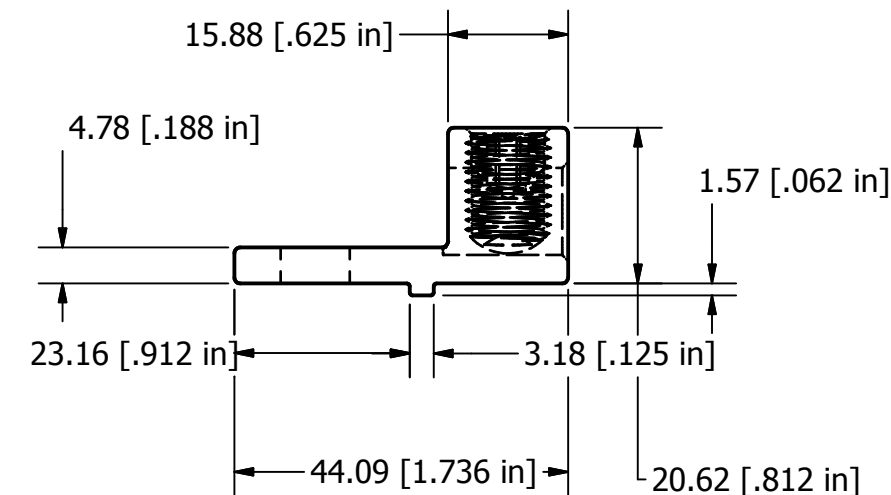
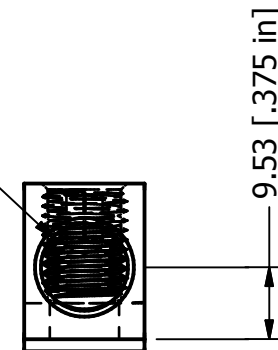


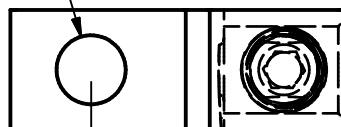
FULLY INSTALL (1)  
11703 3/16" HEX SKT  
SET SCREW



Ø11.51 [Ø.453 in]



Ø9.14 [Ø.360 in]



COPYRIGHT (PER LATEST REVISION DATE) OF INTERNATIONAL HYDRAULICS, INC. (IHI®). ALL RIGHTS RESERVED. THIS COMPLETE ENGINEERING DRAWING, SCHEMATICS, AND DESIGN ARE PROPRIETARY AND CONFIDENTIAL PROPERTY OF INTERNATIONAL HYDRAULICS, INC. DBA: IHI CONNECTORS® IN CLEVELAND, OHIO, AND MAY NOT BE DUPLICATED, USED FOR THE BASIS OF DESIGN OR MANUFACTURE WITHOUT PRIOR WRITTEN PERMISSION OF ITS OWNER. Contents contain a combination of registered trademark, copyright, or patent protections exclusively owned by IHI® which are not to be infringed upon. Not for use where failure creates a hazard to human health or safety. All products are subject to this full disclaimer: [ihiconnectors.com/disclaimer.html](http://ihiconnectors.com/disclaimer.html)

FOR FURTHER INFORMATION ON THE PROPER USE OF THIS PRODUCT IN SPECIFIC APPLICATIONS SEE: [ihiconnectors.com/GuideToFlexFlexibleFineStrandedWireCableMechanicalLugsFAQ.html](http://ihiconnectors.com/GuideToFlexFlexibleFineStrandedWireCableMechanicalLugsFAQ.html)

[ihiconnectors.com/Technical-Data-Installation.htm](http://ihiconnectors.com/Technical-Data-Installation.htm)

MARKING:  
S2/0 CU9AL  
2/0-14  
IHI CSA UL

EXTRUSION  
X1075TPEX

THIS DRAWING AND DESIGN ARE THE PROPERTY OF INTERNATIONAL HYDRAULICS, INC., CLEVELAND, OHIO, AND MAY NOT BE DUPLICATED, USED FOR THE BASIS OF DESIGN OR MANUFACTURE WITHOUT THE WRITTEN PERMISSION OF INTERNATIONAL HYDRAULICS, INC., CLEVELAND, OHIO.		<b>IHI CONNECTORS</b> INTERNATIONAL HYDRAULICS, INC.	
GENERAL TOLERANCES ±.015 (±0,39)		TITLE: SINGLE TP EXTENDED LUG	
MATERIAL: 6061-T6		SIZE: A	DRAWN BY: cridley
FINISH: TIN PLATED		DATE: 4-7-2020	DWG NO.: S2-0-TPEX-36-49-HEX (SALES)
		ABB	2/0-14 AWG
			REV: 0

UL FILE E129884  
CSA FILE  
MC200116

FLEX WIRE 1/0-14 AWG